

# USER MANUAL



Thank you for choosing Better Bathrooms.  
Please read this manual before installing your product  
and keep for future reference.

**better  
bathrooms**

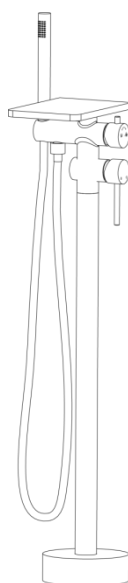
**Product name: Savannah - Freestanding Bath Shower Mixer with Shelf**

**Product code/s :**

**SAVCHFSBSM -Chrome Freestanding Bath Shower Mixer with Shelf - Savannah**

**SAVMBFSBSM-Matt Black Freestanding Bath Shower Mixer with Shelf - Savannah**

→ | ← 2-G1/2



- **Multi or Single-person assembly**
- **Tools required**
- **We always recommend using professional tradespeople to install your product**

V1\_18/07/2024

**Congratulations on your purchase**

*And welcome to our growing gang of savvy shoppers*

We're on a mission to bring you extraordinary bathroom products, for less. From modern to traditional style ceramics, plus the gorgeous fixtures, fittings and furniture to match. So, you can fall in love with your space every single day.

As one of the UK's largest independent bathroom stores, we've received countless awards; including the National Business Awards UK, the Digital Entrepreneur Awards and being placed on The Sunday Times Fast Track 100.

We hope your new product goes above and beyond your expectations. However, should any problems occur, please:

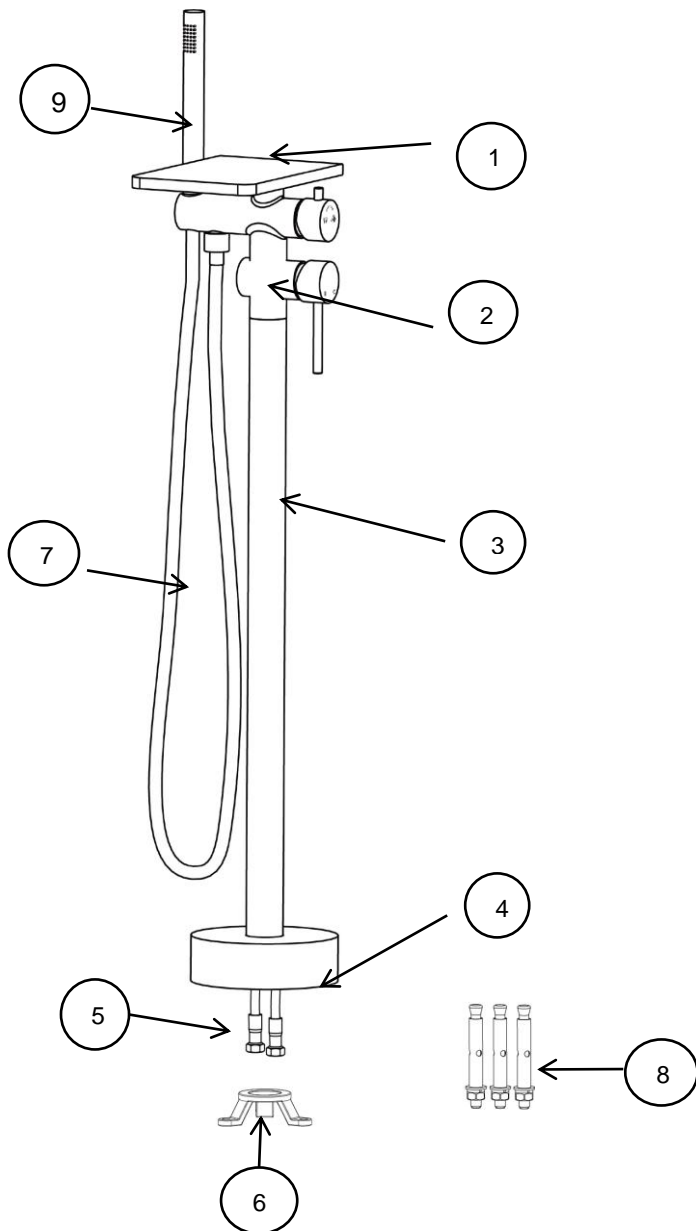
- log in to your account and contact our customer services team via your self-serve portal – [betterbathrooms.com/CustomerAccount/Login](https://betterbathrooms.com/CustomerAccount/Login)
- contact us via [betterbathrooms.com/content/contact-us](https://betterbathrooms.com/content/contact-us)

## Important information

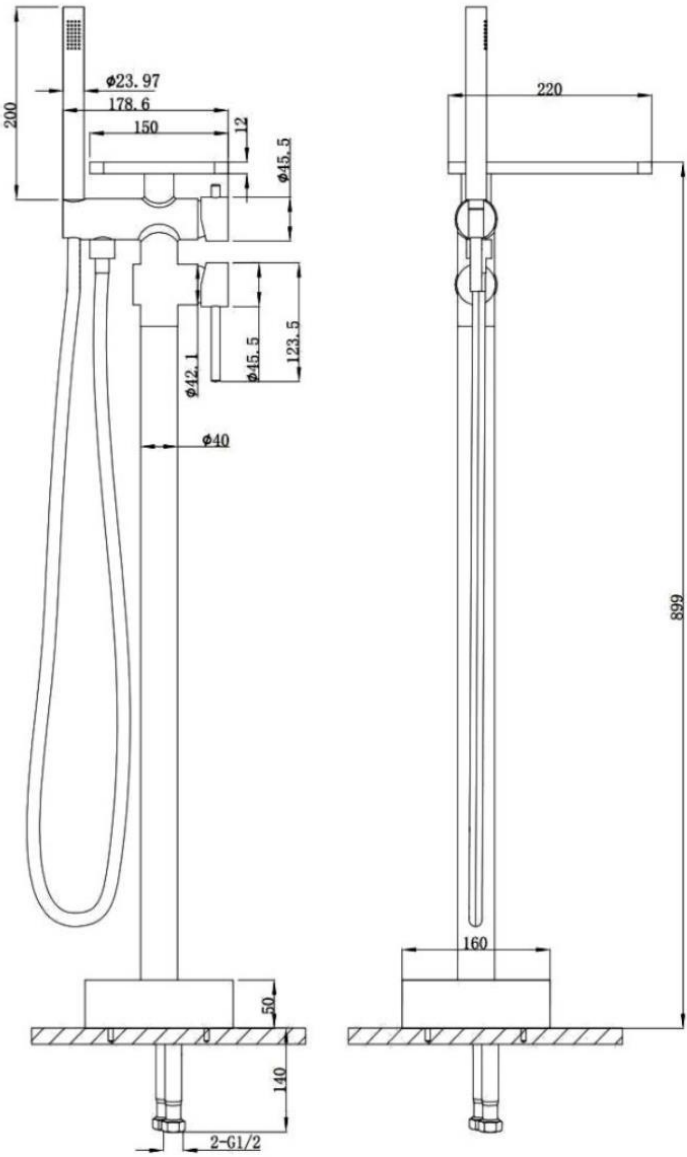
- Please read these instructions thoroughly and retain for future reference
- Installation must be carried out in compliance with The Water Fittings Regulations and Scottish Water Bylaws.
- The system must be flushed prior to installation.
- Minimum and Maximum working pressure : 1 - 5 bar
- Pressures must be equal for optimum performance
- Please do not connect hot and cold water supply lines in reverse. This could result in hot water flowing from cold line and cause scalding.
- The feed-water temperature of water shall not exceed 85°C. Exceeding 85°C may cause scalding, the service life of faucets might be shortened, or the faucet might be damaged
- After installation, please make sure the faucet is securely mounted and checked for leaks.

# Contents

- 1.Cascade spout x 1 3-  $\phi$  9
- 2. Tap body x 1
- 3.Standpipe x 1
- 4.Flange x 1
- 5.Flexible hoses x 2
- 6.Fixing base x 1
- 7.Shower hose x 1
- 8.Fixing bolts x 3
- 9. Hand shower x 1



# Parts / Diagrams



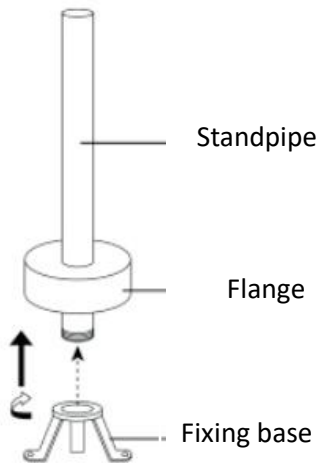
## Tools required

Installation requires a screwdriver, an adjustable wrench and adjustable pliers

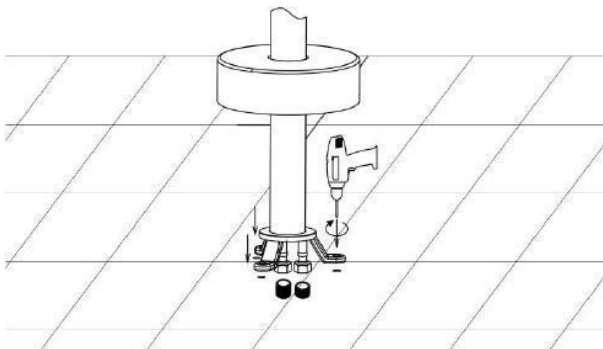


# Installation

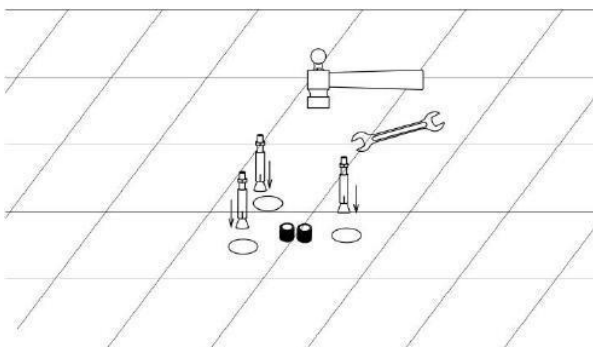
1. Place flange over the standpipe and then screw the fixing base to the thread end of the standpipe .



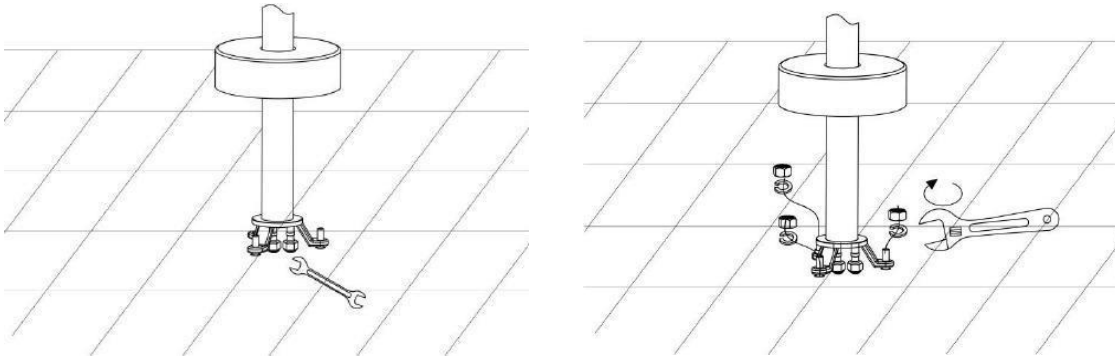
2. Mark out the fixing positions on the flooring basing on the body and drill 3 holes. Always check for pipes and cables before drilling



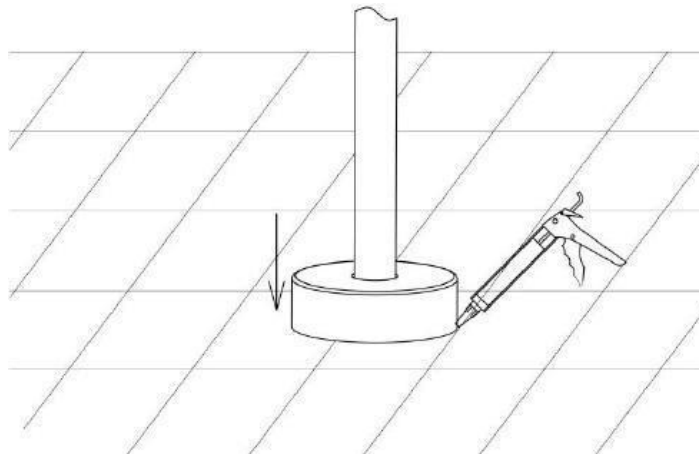
3. Fix the fixing bolts into the holes.



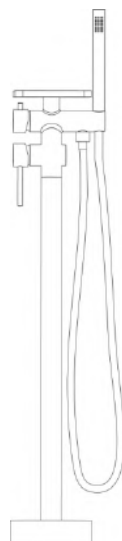
4. Put the fixing base over fixing bolts and fasten with steel gasket and nut. Connect the Red strip inlet hoses with hot (Left) and Blue strip inlet hoses with cold (right) water pipes. Turn on water supply and check for leaks.



5. Slide down the base until it reaches the floor. Waterproof adhesive is recommended to be applied.

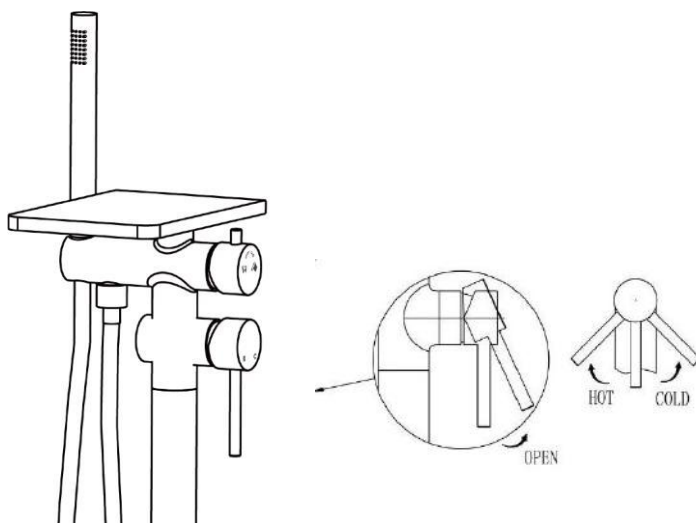


6. Connect one end of the shower hose to the mixer and the other end to the hand shower. Ensure the washer is placed into each end for seal.



# Operation

Operate the mixer in both bath and shower mode. To switch from bath to shower mode, twist the diverter knob . To revert back to bath fill turn the diverter back.





# Troubleshooting

**Dripping tap:** Check leaking issue, remove and clean the cartridge, then replace it if needed.

**Diverter not diverting:** Remove the diverter, check and clean, then replace it if needed. Could it be insufficient pressure, so pressure needs to be checked.

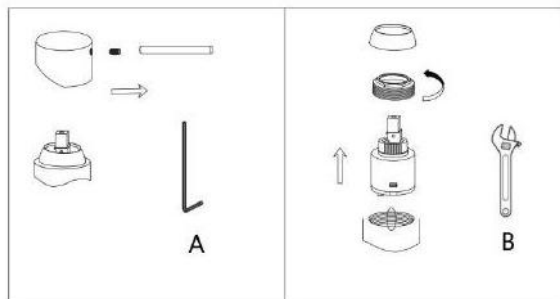
**Poor flow:** May be due to a blockage, so the water supply pipes need to be checked for blockages and or kinks. Have the isolation valves been opened fully.

**No flow:** May be due to a blockage, so the water supply pipes need to be checked for blockages or kinks. Have the isolation valves been opened fully.

**Mixer moving when installed:** check bottom fixing is fully secured

# Maintenance

## Replace cartridge



## Cleaning

- Clean the product surface with a soft cloth and a mild detergent or citric acid solution. The use of any rough materials, as well as corrosive or abrasive cleaning agents, is not recommended as they may cause damage to the coating.

### ***For more information***

- visit [betterbathrooms.com](http://betterbathrooms.com)
- email [customerservices@buyitdirect.co.uk](mailto:customerservices@buyitdirect.co.uk)
- call 0330 390 3062
- write to Trident Business Park, Neptune Way, Huddersfield, HD2 1UA

**better**   
**bathrooms**

Part of the BuyItDirect Group